

Simple vibration elements for elastic mounting

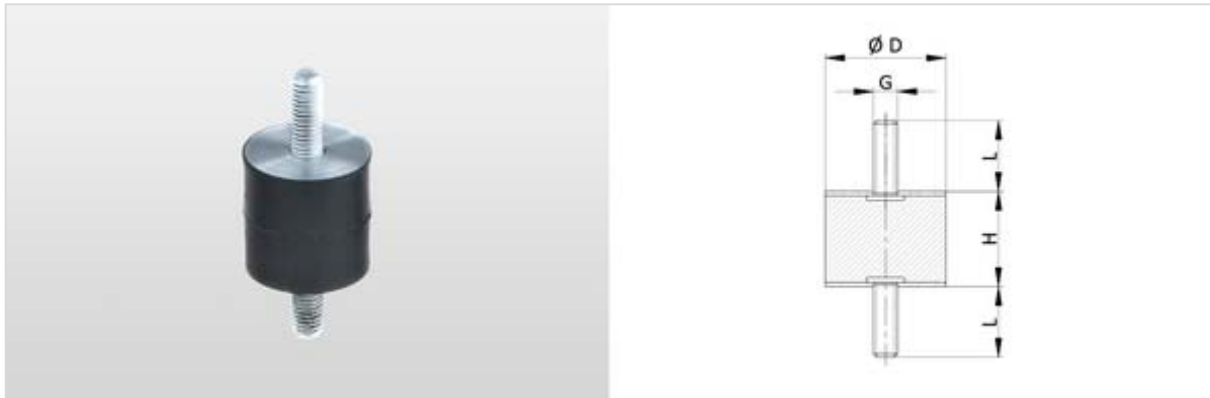


are used in all industrial areas, where strong mechanical vibrations and blows or vibes and structure-born sound have to be reduced. HIL-Buffers are deliverable in various grades of hardness. Different versions in size, pressure load and form enable in conjunction with different thread models an optimal installation.



HIL-A-buffer

- Material NR, 43, 57, 68 ± 5 Shore A
- Threaded bolt on both sides, galvanized steel
- Temperature range -30° C to $+80^{\circ}$ C



Art.-No.	D x H [mm]	G [mm]	L [mm]
0500230	4 x 6	M2	6
0500231	6 x 7	M3	6
0500232	8 x 6	M3	6
0500233	8 x 8	M3	6
0500234	10 x 10	M4	10
0500235	15 x 8	M4	10
0500236	15 x 15	M4	13
0500237	15 x 20	M4	13
0500238	18 x 8,5	M6	16
0500239	20 x 15	M6	15
0500240	20 x 20	M6	15
0500241	20 x 25	M6	15
0500242	25 x 10	M6	18
0500243	25 x 15	M6	18
0500087	25 x 20	M6	18
	25 x 30	M6	18
0500144	30 x 15	M8	20

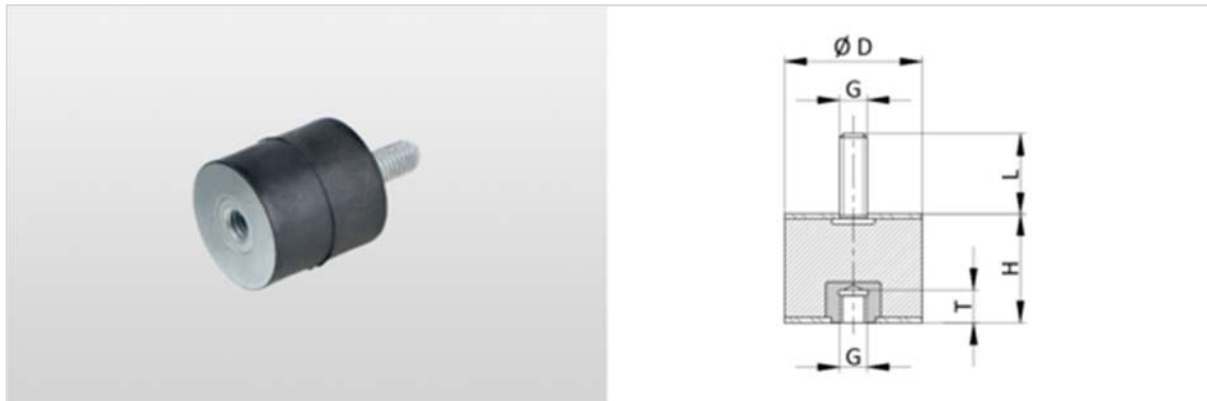


Art.-No.	D x H [mm]	G [mm]	L [mm]
0500042	30 x 20	M8	20
0500088	30 x 30	M8	20
0500111	40 x 30	M8	23
	40 x 40	M8	23
	50 x 20	M10	28
0500053	50 x 30	M10	28
	50 x 40	M10	28
	50 x 45	M10	28
	50 x 50	M10	28
	70 x 45	M10	30
0500131	75 x 25	M12	37
0500023	75 x 40	M12	37
	75 x 50	M12	37
	75 x 55	M12	37
	100 x 40	M16	45
	100 x 55	M16	45
	100 x 60	M16	45
0500130	150 x 75	M16	45



HIL-B-buffer

- Material NR, 43, 57, 68 ±5 Shore A
- Threaded bolt on one side, galvanized steel
- Female thread on the other side, galvanized steel
- Temperature range -30° C to +80° C



Art.-No.	D x H [mm]	G [mm]	L [mm]	T [mm]
	8 x 6	M3	6	3
0500031	10 x 10	M4	10	4
	15 x 15	M4	13	4
	15 x 20	M4	13	4
0500205	20 x 15	M4	10	4
0500206	20 x 15	M6	10	4
	20 x 20	M6	15	6
0500167	20 x 25	M6	15	6
0500261	25 x 15	M6	18	6
0500083	25 x 20	M6	18	6
0500064	25 x 30	M6	18	6
0500181	30 x 15	M8	23	8
0500028	30 x 20	M8	20	8
0500107	30 x 30	M8	23	8
0500050	40 x 25	M8	25	8
	40 x 30	M8	23	8



Art.-No.	D x H [mm]	G [mm]	L [mm]	T [mm]
0500051	40 x 40	M8	23	8
0500258	50 x 20	M10	28	10
0500262	50 x 30	M10	28	10
	50 x 40	M10	28	10
	50 x 45	M10	28	10
	50 x 50	M10	28	10
	70 x 45	M10	30	10
0500219	75 x 25	M12	37	12
0500098	75 x 40	M12	37	12
0500268	75 x 50	M12	37	12
0500130	75 x 55	M12	37	12
0500218	100 x 40	M16	45	16
0500054	100 x 55	M16	45	16
0500128	100 x 75	M16	45	16



HIL-C-buffer

- Material NR, 43, 57, 68 ±5 Shore A
- Female thread on both sides, galvanized steel
- Temperature range -30° C to +80° C



Art.-No.	D x H [mm]	G [mm]	L [mm]
	8 x 8	M3	3
	10 x 10	M4	4
	13 x 26	M4	4
0500274	15 x 10	M4	4
	15 x 15	M4	4
	15 x 20	M4	4
	20 x 20	M6	6
0500175	20 x 25	M6	6
0500259	25 x 20	M6	6
0500209	25 x 30	M6	6
0500249	30 x 20	M8	8
0500245	30 x 30	M8	8
0500217	40 x 20	M8	8
0500265	40 x 30	M8	8
	40 x 40	M8	8
	50 x 30	M10	10
	50 x 40	M10	10



Art.-No.	D x H [mm]	G [mm]	L [mm]
0500260	50 x 45	M10	10
	50 x 50	M10	10
	70 x 45	M10	10
0500215	75 x 40	M12	12
	75 x 50	M12	12
0500035	75 x 55	M12	12
0500213	100 x 40	M16	16
0500055	100 x 55	M16	16
	100 x 60	M16	16
	150 x 55	M16	16
	150 x 75	M16	16



HIL-D-buffer

- Material NR, 43, 57, 68 ±5 Shore A
- Threaded bolt on one side, galvanized steel
- Temperature range -30° C to +80° C



Art.-No.	D x H [mm]	G [mm]	L [mm]
0500176	10 x 10	M4	10
	15 x 13	M4	10
	15 x 15	M4	10
	18 x 7,5	M6	10
0500092	20 x 13,5	M6	15
	20 x 15	M6	15
0500137	20 x 20	M6	15
	20 x 25	M6	15
0500081	25 x 8	M6	18
	25 x 13	M6	18
0500162	25 x 15	M6	18
0500103	25 x 17	M6	18
0500034	25 x 20	M6	18
0500156	25 x 28	M6	18
0500158	30 x 15	M8	23
0500078	30 x 17	M8	23
0500097	30 x 20	M8	23
0500202	30 x 28	M8	23

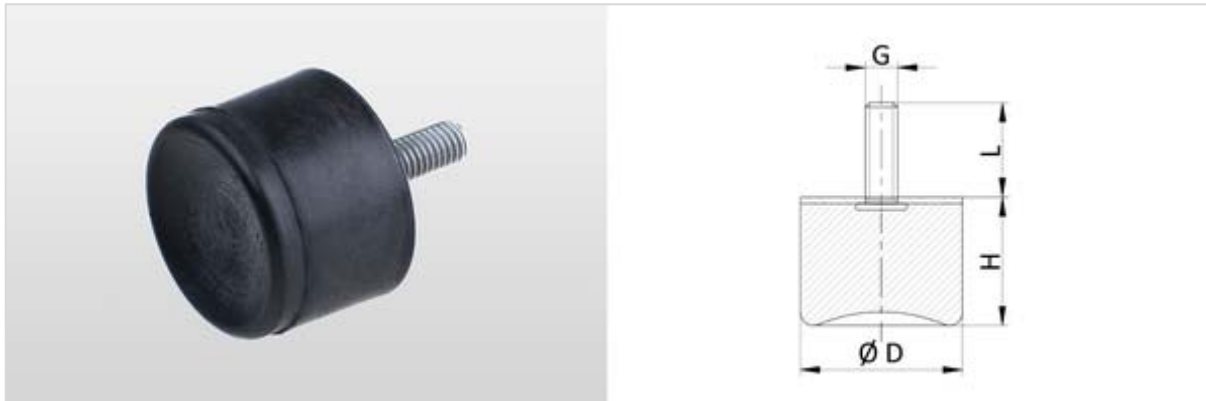


Art.-No.	D x H [mm]	G [mm]	L [mm]
0500012	30 x 30	M8	23
0500005	40 x 28	M8	23
0500099	50 x 21	M10	28
0500063	50 x 28	M10	28
0500027	50 x 42	M10	28
0500048	75 x 25	M12	37
0500132	75 x 36	M12	37
	100 x 40	M16	43
	100 x 50	M16	43



HIL-DS-buffer

- Material NR, 43, 57, 68 ± 5 Shore A
- Threaded bolt on one side, galvanized steel
- Temperature range -30°C to $+80^{\circ}\text{C}$

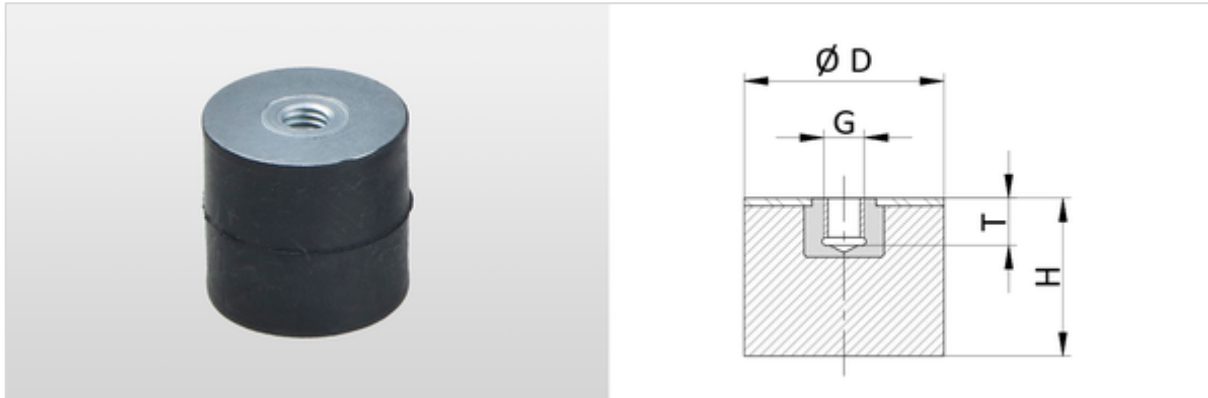


Art.-No.	D x H [mm]	G [mm]	L [mm]
	15 x 14	M4	10
	20 x 17	M6	18
	20 x 23,5	M6	18
0500212	25 x 18,5	M6	18
	30 x 28,5	M8	23
0500228	40 x 28,5	M8	23
	50 x 28	M10	28
	70 x 43	M10	28
0500269	75 x 37	M12	28
	100 x 50	M12	37



HIL-E-buffer

- Material NR, 43, 57, 68 ±5 Shore A
- Female thread on one side, galvanized steel
- Temperature range -30° C to +80° C



Art.-No.	D x H [mm]	G [mm]	T [mm]
0500177	10 x 10	M4	4
	15 x 15	M4	4
	20 x 13,5	M6	6
0500164	20 x 15	M6	6
	20 x 20	M6	6
0500010	20 x 25	M6	6
	25 x 13	M6	6
0500264	25 x 15	M6	6
	25 x 17	M6	6
	25 x 20	M6	6
	25 x 28	M6	6
0500036	30 x 15	M8	8
0500283	30 x 17	M8	8
0500011	30 x 20	M8	8
0500029	30 x 30	M8	8
0500059	40 x 28	M8	8
0500157	50 x 21	M10	10
0500057	50 x 28	M10	10
0500214	75 x 25	M12	12
	100 x 40	M16	16
	100 x 50	M16	16

HIL-KP-parabola-buffer

- Material NR, 43, 57, 68 ±5 Shore A
- Threaded bolt on one side, galvanized steel
- Temperature range -30° C to +80° C

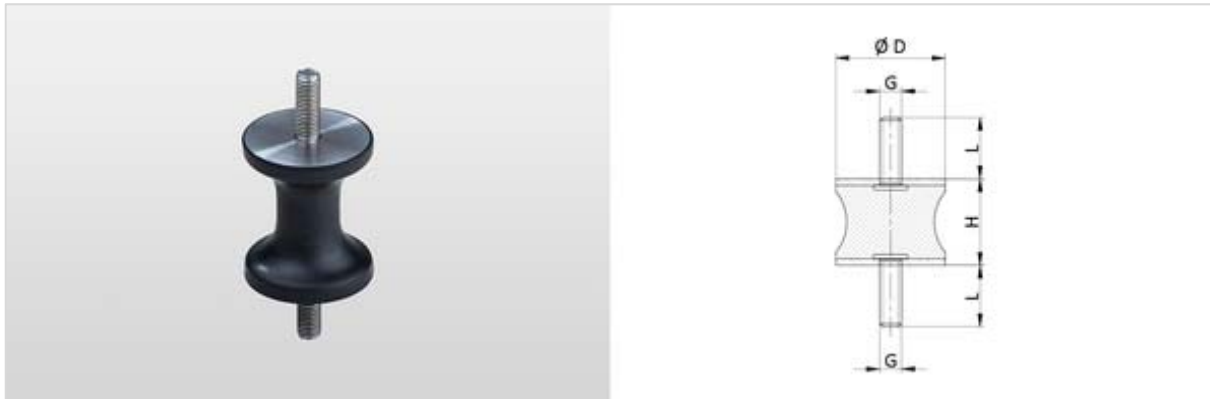


Art.-No.	D x H [mm]	G [mm]	L [mm]
0500058	20 x 24	M6	18
0500013	30 x 36	M8	20
0500062	50 x 58	M10	28
0500248	50 x 61	M8	28
0500007	50 x 67	M8	36
0500026	75 x 89	M12	35
0500076	95 x 83	M16	43
	115 x 136	M16	43
	165 x 195	M16	45



HIL-AT-buffer

- Material NR, 43, 57, 68 ±5 Shore A
- Waisted version
- Threaded bolt on both sides, galvanized steel
- Temperature range -30° C to +80° C

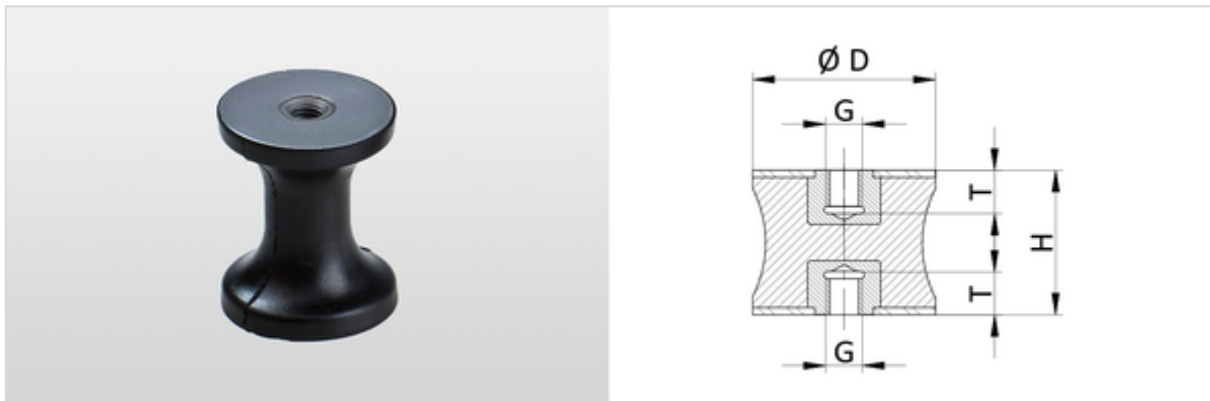


Art.-No.	D x H [mm]	G [mm]	L [mm]
0500197	10 x 8	M4	10
0500196	15 x 15	M4	13
0500247	20 x 15	M6	18
0500095	30 x 20	M8	20
0500037	30 x 25	M8	20
	30 x 30	M8	20
	40 x 30	M8	20
	40 x 48	M8	23
	50 x 30	M10	33
	75 x 40	M12	37
	100 x 55	M16	45
	100 x 75	M16	45



HIL-CT-buffer

- Material NR, 43, 57, 68 ± 5 Shore A
- Waisted version
- Female thread on both sides, galvanized steel
- Temperature range -30°C to $+80^{\circ}\text{C}$

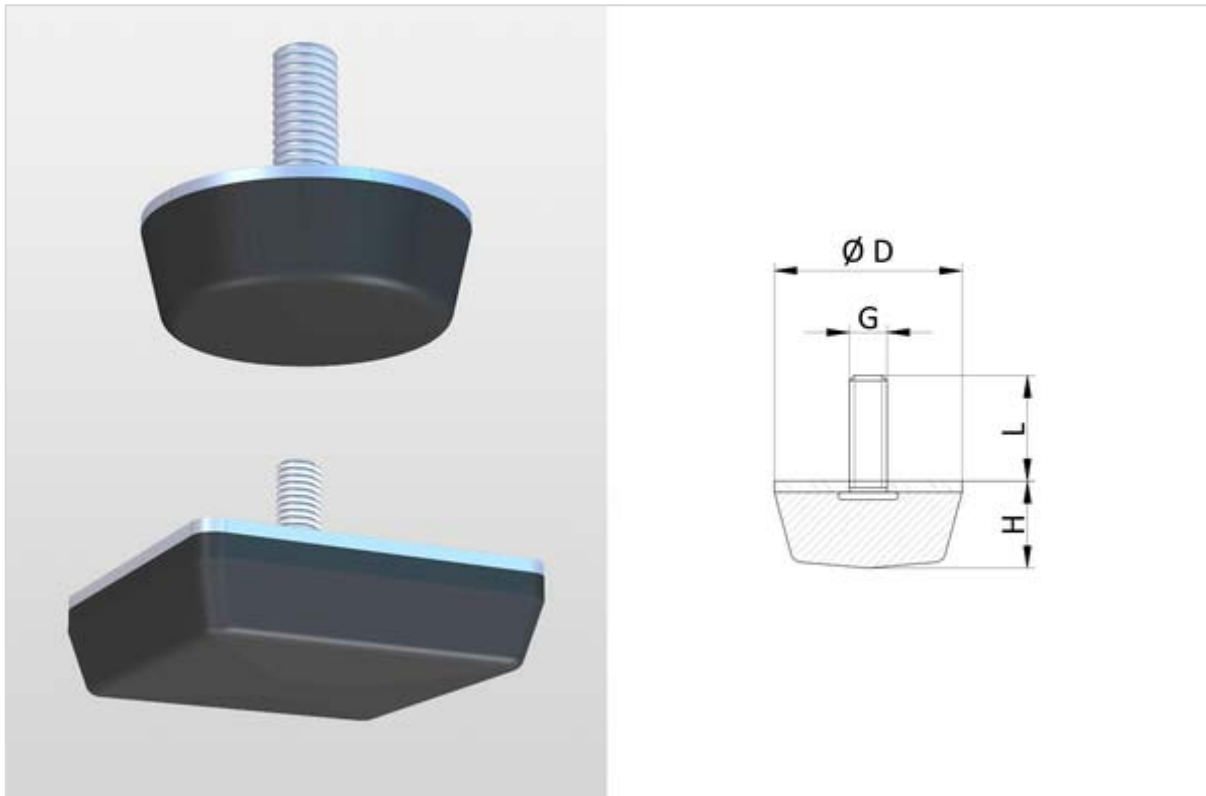


Art.-No.	D x H [mm]	G [mm]	T [mm]
	30 x 20	M8	8
	30 x 25	M8	8
	30 x 30	M8	8
	40 x 30	M8	8
	40 x 48	M8	8
	50 x 30	M10	10
	75 x 40	M12	12
	100 x 55	M16	16
	100 x 75	M16	16



HIL-K-buffer

- Material NR, 43, 57, 68 ± 5 Shore A
- Round or rectangular version
- Threaded bolt on one side, galvanized steel
- Temperature range -30°C to $+80^{\circ}\text{C}$

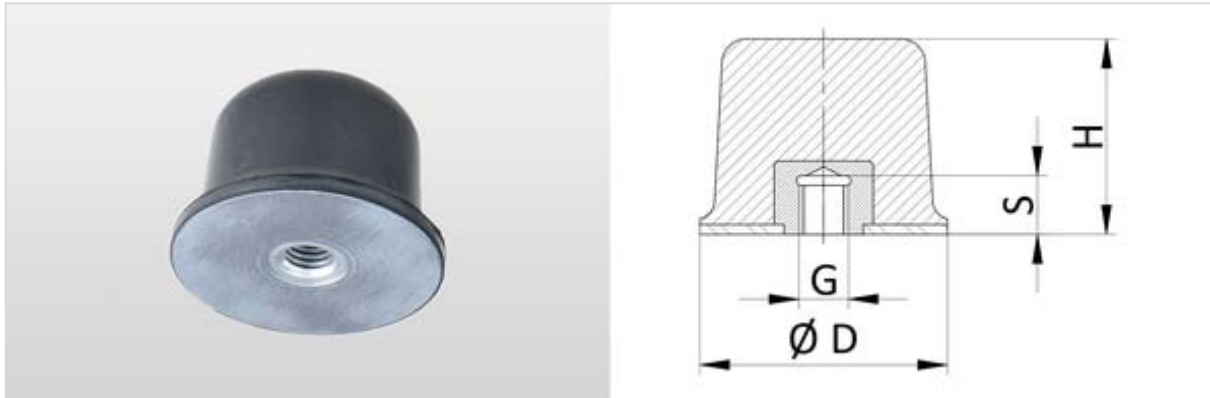


Art.-No.	D x H [mm]	G [mm]	L [mm]
0500100	25 x 17	M6	18
0500193	50 x 18	M10	28
0500006	80 x 25 rectangular	M12	35
0500224	125 x 45	M16	45



HIL-KE-buffer

- Material NR, 43, 57, 68 ± 5 Shore A
- Female thread on one side, galvanized steel
- Temperature range -30°C to $+80^{\circ}\text{C}$



Art.-No.	D x H [mm]	G [mm]	s [mm]
0500008	50 x 35	M10	10
0500194	80 x 60	M12	12
0500246	125 x 90	M16	16