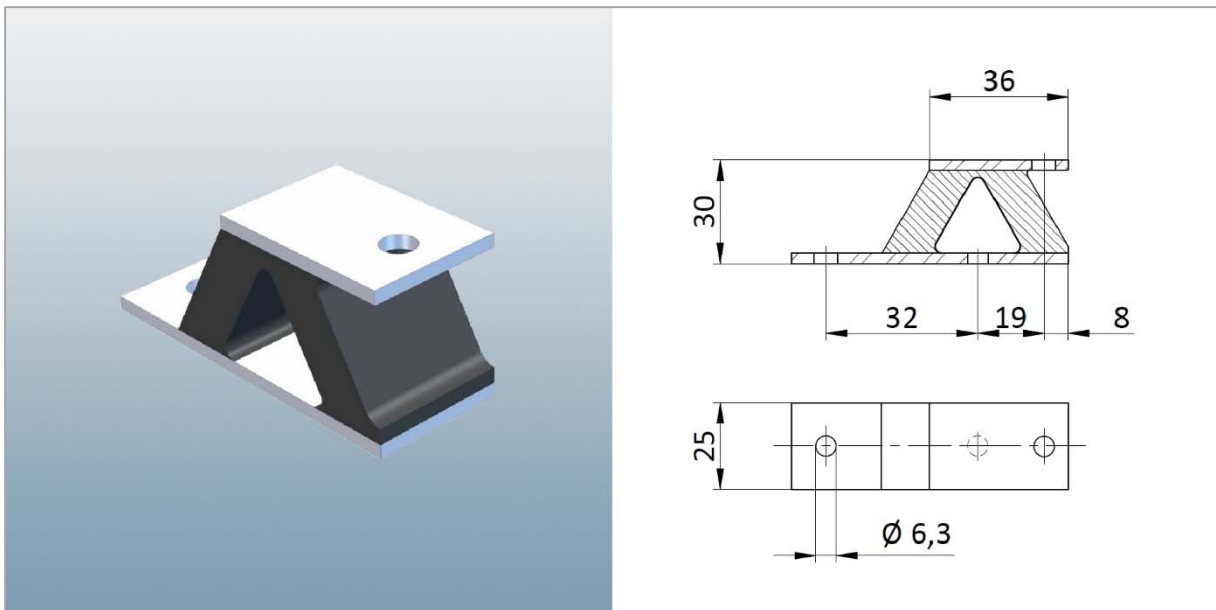




HIL-V-Element

For elastic mounting of small masses with low natural frequencies

- Material NR, 43, 57 und 68 ± 5 Shore A
- Load on pressure and thrust possible
- No tensile stress permissible



Art.-No.	L x B x H [mm]	Rib [mm]
V10	67,5 x 25 x 30	10
V 8	67,5 x 25 x 30	8