

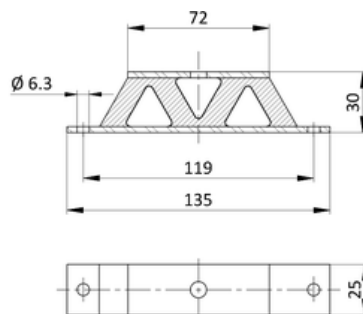
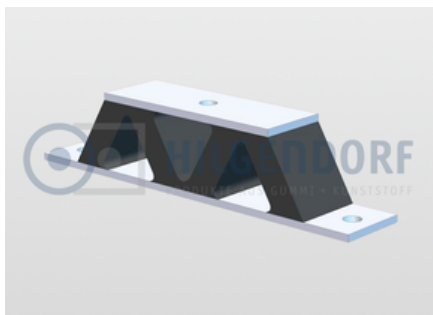


[Home](#) / [Standard products](#) / [Rubber-to-metal elements](#) / [HIL-W-element](#)

HIL-W-element

For elastic mounting of small masses with low natural frequencies

- Material natural rubber, 43°, 57° and 68° Shore A
- Load on pressure and thrust possible
- No tensile stress permissible



Art. No.	L x W x H	Rib
	[mm]	[mm]
W10	135 x 25 x 30	10
W 8	135 x 25 x 30	8

[PDF](#)

Free callback service

Do you have questions or would you like a consultation?
We will call you back. For free!

I'm interested in:

▼

We'll call you back as soon as possible.

The data transfer is encrypted via HTTPS, see [Data Privacy Statement](#).

© 2019 Hilgendorf GmbH + Co. • Benzstraße 1 • D-31135 Hildesheim

+49 (0) 5121 / 28995-0

[info \(at\) hilgendorf.net](mailto:info@hilgendorf.net)