



[Home](#) / [Standard products](#) / [Rubber-to-metal elements](#) / [HIL-Rubber-to-metal-bonded-buffers](#)



Simple vibration elements for elastic mounting

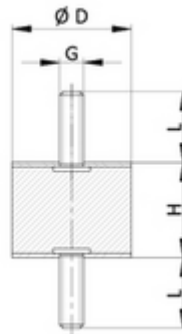
are used in all industrial areas, where strong mechanical vibrations and blows or vibes and structure-born sound have to be reduced. HIL-Buffers are deliverable in various grades of hardness. Different versions in size, pressure load and form enable in conjunction with different thread models an optimal installation.

Find out more in our Flyer "Rubber-to-metal-bonded-buffers":



Flyer_Rubber-to-metal-bonded-buffers_V1.pdf

- Material natural rubber, 43, 57, 68 \pm 5 Shore A
- Threaded bolt on both sides, galvanised steel
- Temperature range -30° C to +80° C

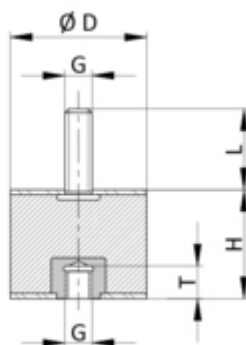
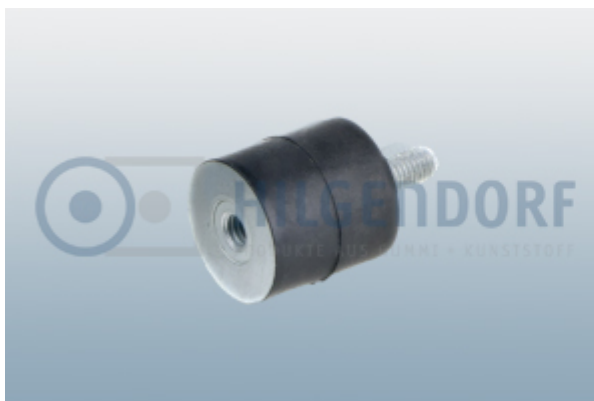


Art. No.	D x H	G	L
	[mm]	[mm]	[mm]
0500230	4 x 6	M2	6
0500231	6 x 7	M3	6
0500232	8 x 6	M3	6
0500233	8 x 8	M3	6
0500234	10 x 10	M4	10
0500235	15 x 8	M4	10
0500236	15 x 15	M4	13
0500237	15 x 20	M4	13
0500238	18 x 8,5	M6	16
0500239	20 x 15	M6	15
0500240	20 x 20	M6	15
0500241	20 x 25	M6	15
0500242	25 x 10	M6	18
0500243	25 x 15	M6	18
0500087	25 x 20	M6	18

Art. No.	D x H	G	L
	25 x 30	M6	18
0500144	30 x 15	M8	20
0500042	30 x 20	M8	20
0500088	30 x 30	M8	20
0500111	40 x 30	M8	23
	40 x 40	M8	23
	50 x 20	M10	28
0500053	50 x 30	M10	28
	50 x 40	M10	28
	50 x 45	M10	28
	50 x 50	M10	28
	70 x 45	M10	30
0500131	75 x 25	M12	37
0500023	75 x 40	M12	37
	75 x 50	M12	37
	75 x 55	M12	37

Art. No.	D x H	G	L
	100 x 40	M16	45
	100 x 55	M16	45
	100 x 60	M16	45
0500130	150 x 75	M16	45

- Material natural rubber, 43, 57, 68 ±5 Shore A
- Threaded bolt on one side, galvanised steel
- Female thread on the other side, galvanised steel
- Temperature range -30° C to +80° C



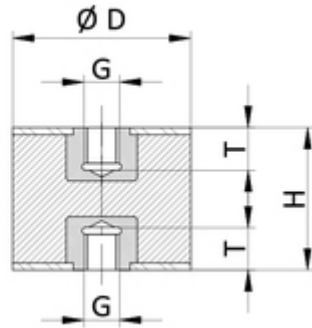
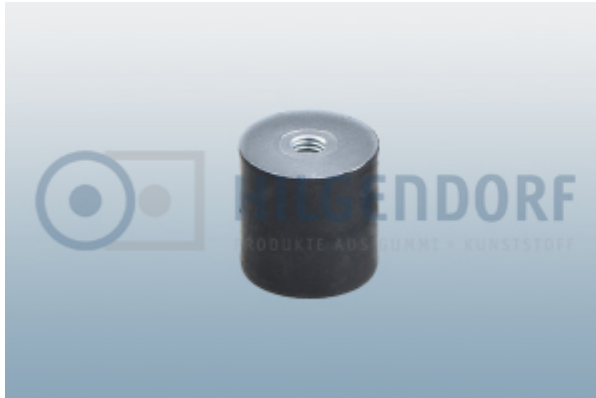
Art. No.	D x H	G	L	T
----------	-------	---	---	---

Art. No.	D x H	G	L	T
	[mm]	[mm]	[mm]	[mm]
	8 x 6	M3	6	3
0500031	10 x 10	M4	10	4
	15 x 15	M4	13	4
	15 x 20	M4	13	4
0500205	20 x 15	M4	10	4
0500206	20 x 15	M6	10	4
	20 x 20	M6	15	6
0500167	20 x 25	M6	15	6
0500261	25 x 15	M6	18	6
0500083	25 x 20	M6	18	6
0500064	25 x 30	M6	18	6
0500181	30 x 15	M8	23	8
0500028	30 x 20	M8	13	8
0500107	30 x 30	M8	23	8
0500050	40 x 25	M8	25	8

Art. No.	D x H	G	L	T
	40 x 30	M8	23	8
0500051	40 x 40	M8	23	8
0500258	50 x 20	M10	28	10
0500262	50 x 30	M10	28	10
	50 x 40	M10	28	10
	50 x 45	M10	28	10
	50 x 50	M10	28	10
	70 x 45	M10	30	10
0500219	75 x 25	M12	37	12
0500098	75 x 40	M12	37	12
0500268	75 x 50	M12	37	12
0500130	75 x 55	M12	37	12
0500218	100 x 40	M16	45	16
0500054	100 x 55	M16	45	16
0500128	100 x 75	M16	45	16

- Material natural rubber, 43, 57, 68 ±5 Shore A

- Female thread on both sides, galvanised steel
- Temperature range -30° C to +80° C

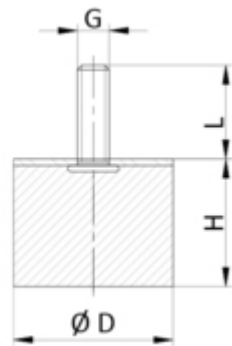


Art. No.	D x H	G	T
	[mm]	[mm]	[mm]
	8 x 8	M3	3
	10 x 10	M4	4
	13 x 26	M4	4
0500274	15 x 10	M4	4
	15 x 15	M4	4
	15 x 20	M4	4

Art. No.	D x H	G	T
	20 x 20	M6	6
0500175	20 x 25	M6	6
0500259	25 x 20	M6	6
0500209	25 x 30	M6	6
0500249	30 x 20	M8	8
0500245	30 x 30	M8	8
0500217	40 x 20	M8	8
0500265	40 x 30	M8	8
	40 x 40	M8	8
	50 x 30	M10	10
	50 x 40	M10	10
0500260	50 x 45	M10	10
	50 x 50	M10	10
	70 x 45	M10	10
0500215	75 x 40	M12	12
	75 x 50	M12	12

Art. No.	D x H	G	T
0500035	75 x 55	M12	12
0500213	100 x 40	M16	16
0500055	100 x 55	M16	16
	100 x 60	M16	16
	150 x 55	M16	16
	150 x 75	M16	16

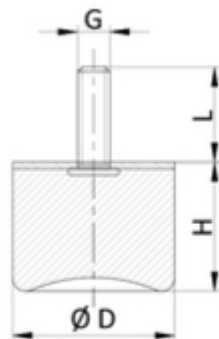
- Material natural rubber, 43, 57, 68 ±5 Shore A
- Threaded bolt on one side, galvanised steel
- Temperature range -30° C to +80° C



Art. No.	D x H	G	L
	[mm]	[mm]	[mm]
0500176	10 x 10	M4	10
0500263	15 x 6	M4	13
	15 x 13	M4	10
	15 x 15	M4	10
	18 x 7,5	M6	10
0500092	20 x 13,5	M6	15
	20 x 15	M6	15
0500137	20 x 20	M6	15
	20 x 25	M6	15
0500081	25 x 8	M6	18
	25 x 13	M6	18
0500162	25 x 15	M6	18
0500103	25 x 17	M6	18
0500034	25 x 20	M6	18
0500156	25 x 28	M6	18

Art. No.	D x H	G	L
0500158	30 x 15	M8	23
0500078	30 x 17	M8	23
0500097	30 x 20	M8	23
0500202	30 x 28	M8	23
0500012	30 x 30	M8	23
0500005	40 x 28	M8	23
0500099	50 x 21	M10	28
0500063	50 x 28	M10	28
0500027	50 x 42	M10	28
0500048	75 x 25	M12	37
0500132	75 x 36	M12	37
	100 x 40	M16	43
	100 x 50	M16	43

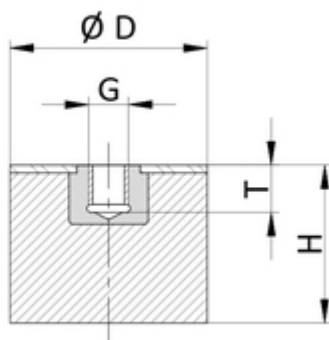
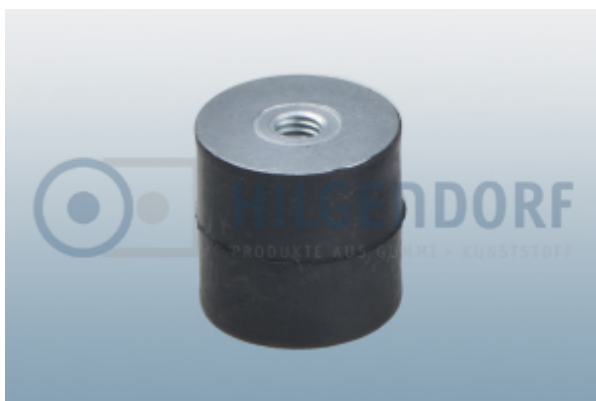
- Material natural rubber, 43, 57, 68 ±5 Shore A
- Threaded bolt on one side, galvanised steel
- Temperature range -30° C to +80° C



Art. No.	D x H	G	L
	[mm]	[mm]	[mm]
	15 x 14	M4	10
	20 x 17	M6	18
	20 x 23,5	M6	18
0500212	25 x 20	M6	11
	30 x 28,5	M8	23
0500228	40 x 28,5	M8	23
	50 x 28	M10	28
	70 x 43	M10	28
0500269	75 x 37	M12	28

Art. No.	D x H	G	L
	100 x 50	M16	37

- Material natural rubber, 43, 57, 68 ±5 Shore A
- Female thread on one side, galvanised steel
- Temperature range -30° C to +80° C

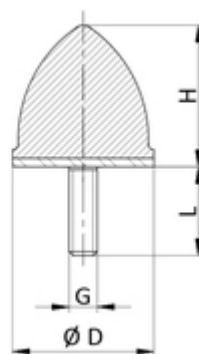


Art. No.	D x H	G	T
	[mm]	[mm]	[mm]
0500177	10 x 10	M4	4
	15 x 15	M4	4
0500287	20 x 13,5	M6	6

Art. No.	D x H	G	T
0500164	20 x 15	M6	6
	20 x 20	M6	6
0500010	20 x 25	M6	6
	25 x 13	M6	6
0500264	25 x 15	M6	6
	25 x 17	M6	6
	25 x 20	M6	6
	25 x 28	M6	6
0500036	30 x 15	M8	8
0500283	30 x 17	M8	8
0500011	30 x 20	M8	8
0500029	30 x 30	M8	8
0500059	40 x 28	M8	8
0500157	50 x 21	M10	10
0500057	50 x 28	M10	10
0500214	75 x 25	M12	12

Art. No.	D x H	G	T
	100 x 40	M16	16
	100 x 50	M16	16

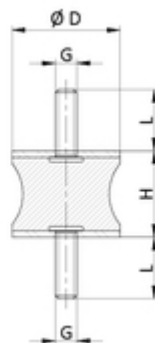
- Material natural rubber, 43, 57, 68 ±5 Shore A
- Threaded bolt on one side, galvanised steel
- Temperature range -30° C to +80° C



Art. No.	D x H	G	L
	[mm]	[mm]	[mm]
0500058	20 x 24	M6	18
0500013	30 x 36	M8	20

Art. No.	D x H	G	L
0500062	50 x 58	M10	28
0500248	50 x 61	M8	28
0500007	50 x 67	M8	36
0500026	75 x 89	M12	35
0500076	95 x 83	M16	43
	115 x 136	M16	43
	165 x 195	M16	45

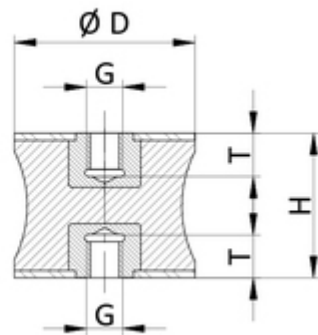
- Material natural rubber, 43, 57, 68 ±5 Shore A
- Waisted version
- Threaded bolt on both sides, galvanised steel
- Temperature range -30° C to +80° C



Art. No.	D x H	G	L
	[mm]	[mm]	[mm]
0500197	10 x 8	M4	10
0500196	15 x 15	M4	13
0500247	20 x 15	M6	18
0500095	30 x 20	M8	20
0500037	30 x 25	M8	20
	30 x 30	M8	20
	40 x 30	M8	20
	40 x 48	M8	23
	50 x 30	M10	33

Art. No.	D x H	G	L
	75 x 40	M12	37
	100 x 55	M16	45
	100 x 75	M16	45

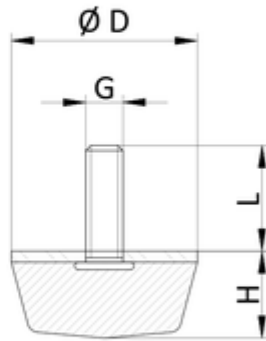
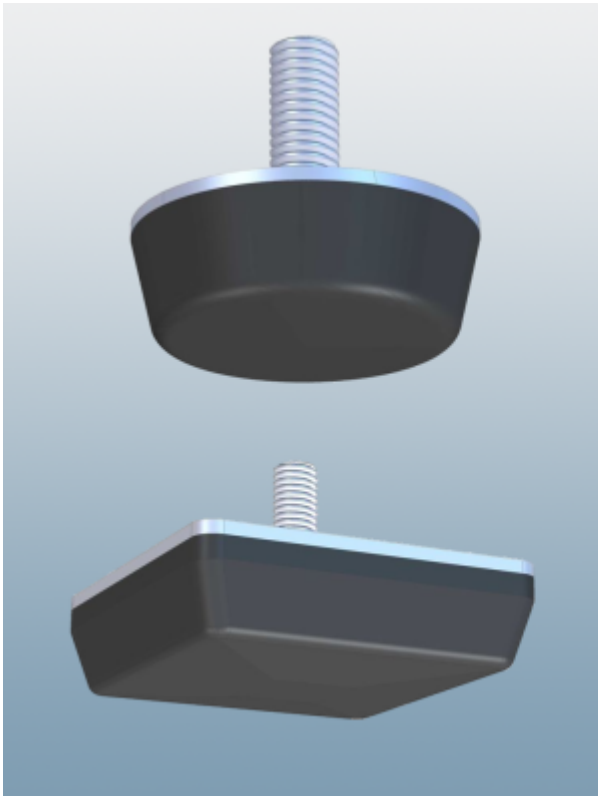
- Material natural rubber, 43, 57, 68 ±5 Shore A
- Waisted version
- Female thread on both sides, galvanised steel
- Temperature range -30° C to +80° C



Art. No.	D x H	G	T
	[mm]	[mm]	[mm]

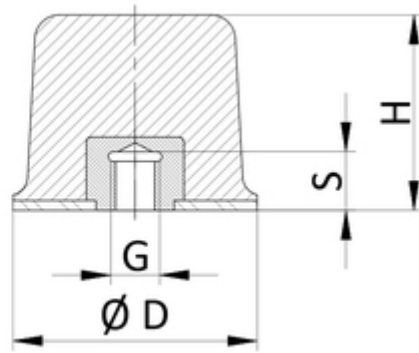
Art. No.	D x H	G	T
	30 x 20	M8	8
	30 x 25	M8	8
	30 x 30	M8	8
	40 x 30	M8	8
	40 x 48	M8	8
	50 x 30	M10	10
	75 x 40	M12	12
	100 x 55	M16	16
	100 x 75	M16	16

- Material natural rubber, 43, 57, 68 \pm 5 Shore A
- Round or rectangular version
- Threaded bolt on one side, galvanised steel
- Temperature range -30° C to +80° C



Art. No.	D x H	G	L
	[mm]	[mm]	[mm]
0500100	25 x 17	M6	18
0500193	50 x 18	M10	28
0500006	80 x 25 = Vierkant	M12	35
0500224	125 x 45	M16	45

- Material natural rubber, 43, 57, 68 ±5 Shore A
- Female thread on one side, galvanised steel
- Temperature range -30° C to +80° C



Art. No.	D x H	G	s
	[mm]	[mm]	[mm]
0500008	50 x 35	M10	10
0500194	80 x 60	M12	12
0500246	125 x 90	M16	16

© 2021 Hilgendorf GmbH + Co. KG • Benzstraße 1 • D-31135 Hildesheim

+49 (0) 5121 / 28995-0

E-Mail

Cookie-Settings

- Technically essential
- Statistical purposes (anonymised)

We use cookies on our website. Some of them are technically essential, while others enable us to provide you with a better user-experience. You can consent to the use of cookies for statistical purposes by clicking on „Agree and continue“ or adjust the settings on your own via the options above. For further information and how you can change your decision at any time, please refer to our [data privacy statement](#).

Agree and continue Accept only essential